

# EVOLUTION UP 35



**EFFEMME**

# VERSIONS

# EVOLUTION UP 35

EVOLUTION UP 35  
FLAPS



MAX platforms LENGTH:  
2.100 / 2.200 mm

EVOLUTION UP 35  
EXTENSIONS

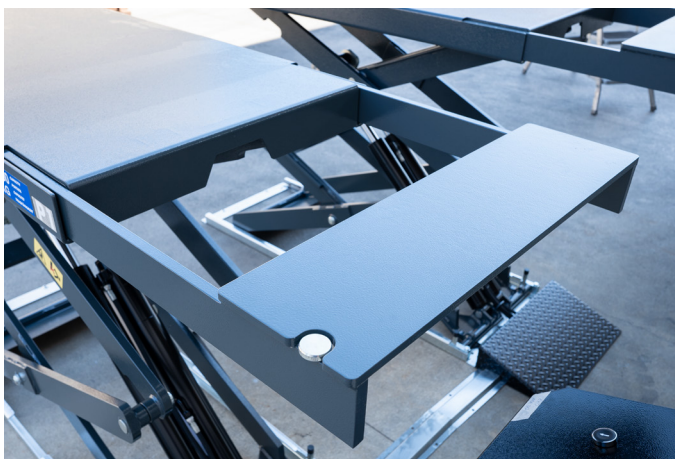


MAX platforms LENGTH:  
2.000 mm

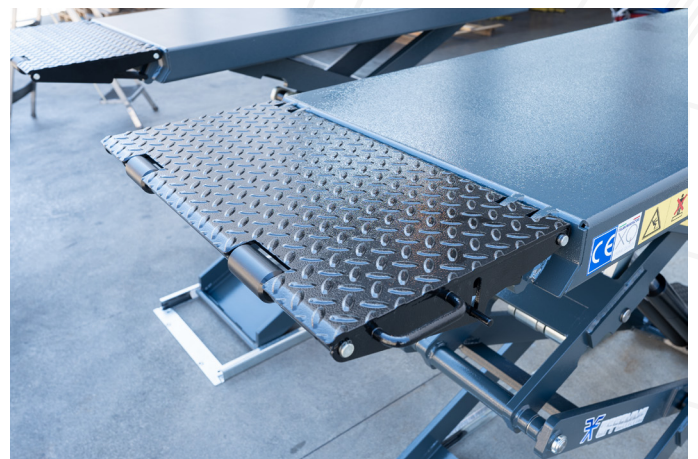
EVOLUTION UP 35  
FLAPS + EXTENSIONS



MAX platforms LENGTH:  
2.325 mm

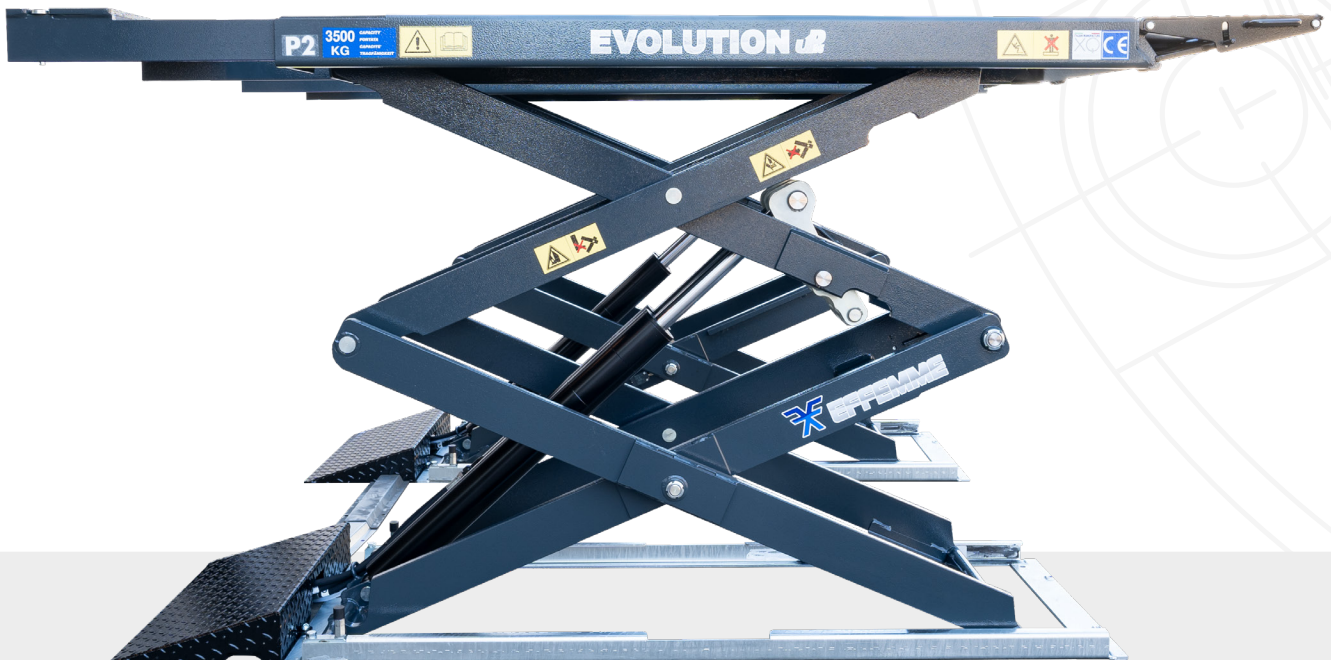


EXTENSION



FLAP  
Lengths: 300 or 400 (mm)

# DETAILS & FEATURES



electro-hydraulic **DOUBLE SCISSOR LIFT** with **DOUBLE HYDRAULIC-VOLUMETRIC SYNCHRONISM**

# DETAILS & FEATURES

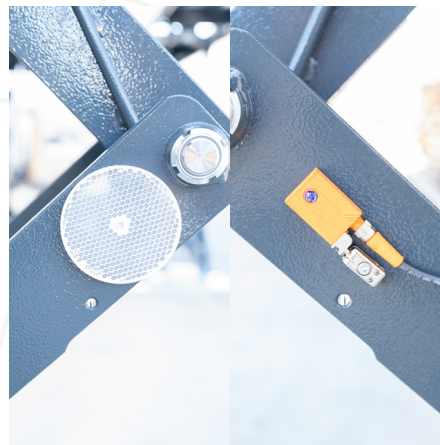
# EVOLUTION UP 35



minimum HEIGHT: **100 mm**



**LEVER**  
with cold galvanizing treatment



**PHOTOCELLS** detect any desynchronizations and immediately stop the lift



**CYLINDERS**  
made by our factory **HTC**



**HOT GALVANIZED BASE FRAME**



**CONTROL UNIT**  
with low voltage command (24V)

## OTHER FEATURES

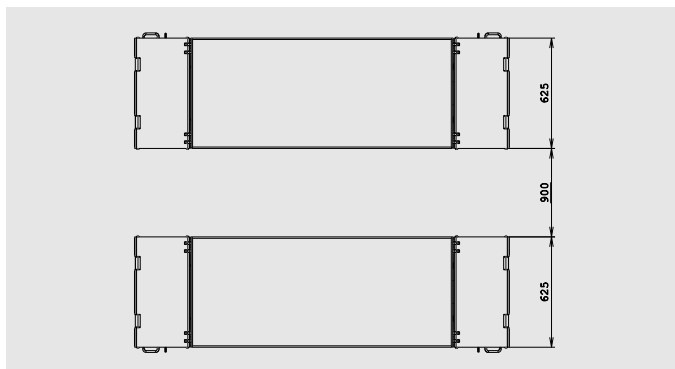
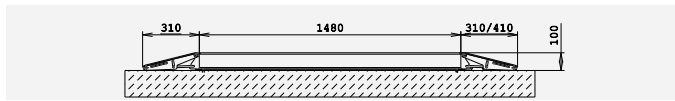
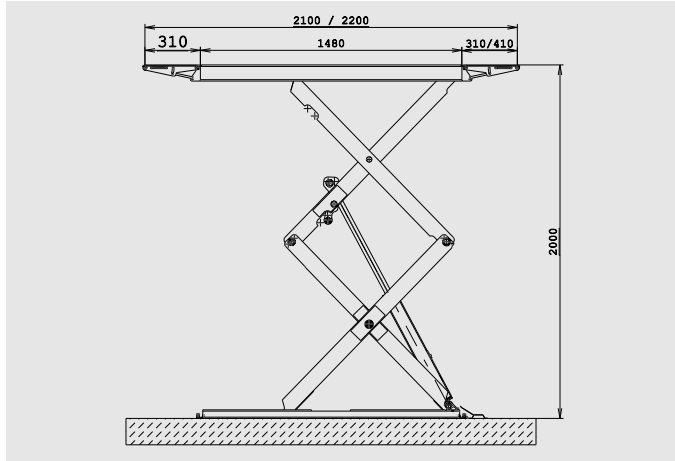
- ▶ Installation: **on floor or inground**
- ▶ Fully reversible
- ▶ Hydraulic system equipped with safety mechanism in case of failure due to broken tubes
- ▶ Device for manual descent in case of power failure
- ▶ Security **MAX PRESSURE VALVE** inside the hydraulic pump

## TECHNICAL DETAILS

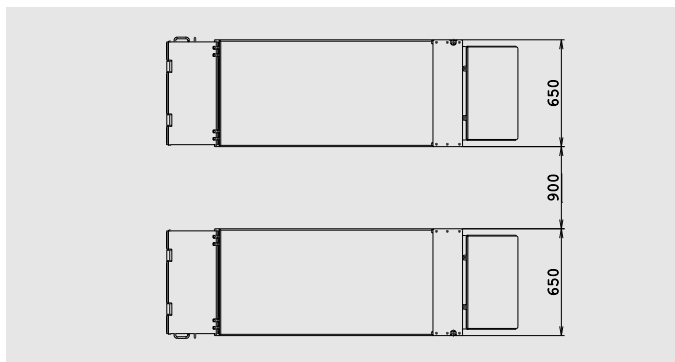
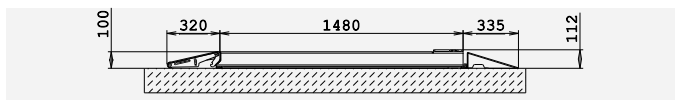
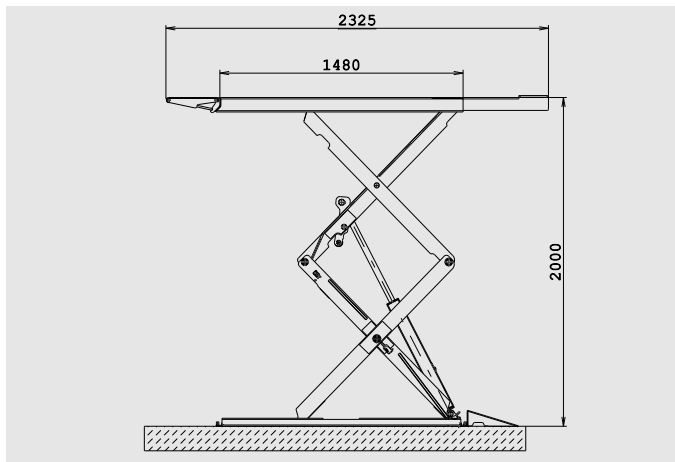
- ▶ Operation: **ELECTRO-HYDRAULIC**
- ▶ Capacity: **3.500 Kg**
- ▶ Weight: **800 / 900 Kg**
- ▶ Lifting time: **40 sec.**
- ▶ Lowering time: **40 sec.**
- ▶ Motor: **2,2 KW, 220/380 V, 50 Hz**
- ▶ Current: **5,3 A**
- ▶ Working temperature: **-10 °C / 40 °C**
- ▶ Working max pressure: **260 bar**

# LAYOUT

## FLAPS version

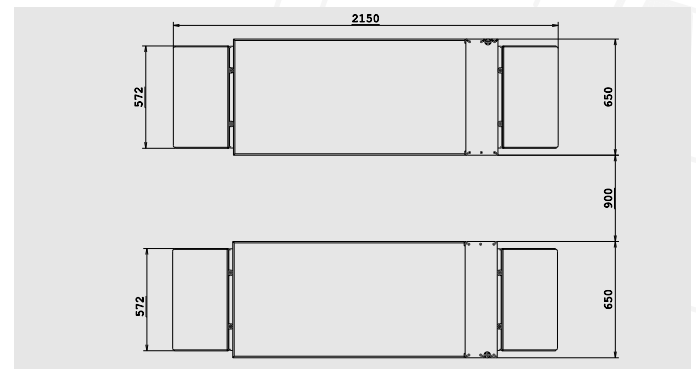
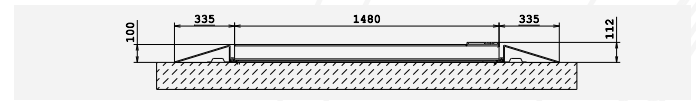
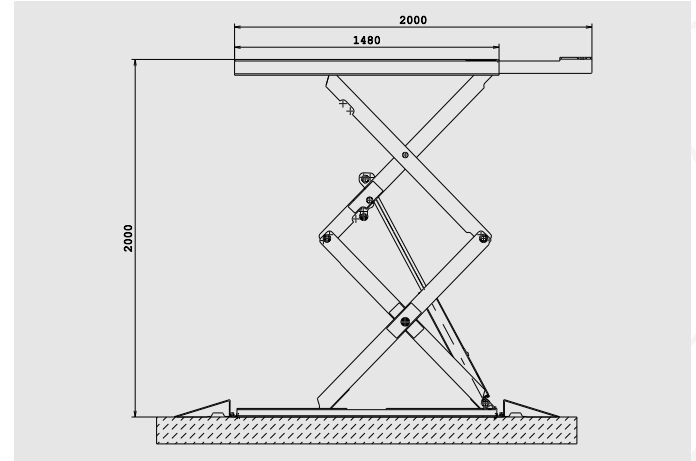


## FLAPS + EXTENSIONS version



# EVOLUTION UP 35

## EXTENSIONS version



## STANDARD EQUIPMENT

- ▶ Painting color: BLUE - RAL 5010, RED - RAL 3020, GREY - RAL7016
- ▶ Primer treatment on platforms
- ▶ BASE FRAME with hot galvanizing treatment
- ▶ Placement of the control unit 2 meters away from the lift



HTC srl - P.I. 01607910674  
Via degli elettricisti - 64025 Pineto ITALY  
Tel. +39 085 9463008 - info@effemmelifts.biz

[www.effemmelifts.com](http://www.effemmelifts.com)



CERTIFICATE NO.  
18495/A/0001/UK/IT